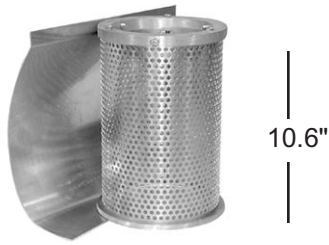
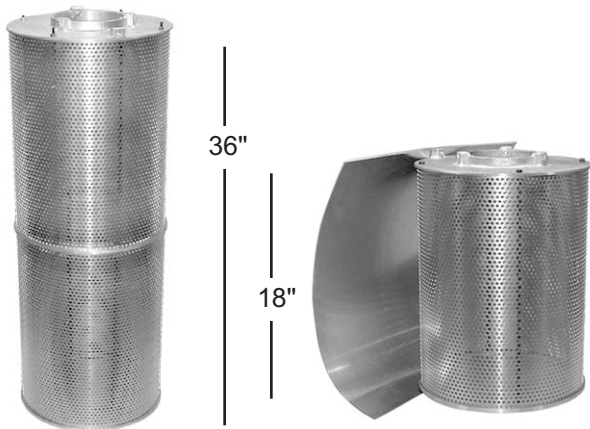


Strainers



SFS6



SFSJ6-D

SFSJ6



SFS8XL



SFSH6

OD Tubing

Basic

Part No.	OD Tubing Size	Weight lbs.	Screen Open Area
SFS2	2"	1.5	15 sq. in.
SFS3	3"	2.0	24 sq. in.
SFS4	4"	3.5	42 sq. in.
SFS5	5"	4.5	66 sq. in.
SFS6	6"	6.0	97 sq. in.
SFS8	8"	11.0	192 sq. in.
SFS10	10"	15.0	332 sq. in.
SFS12XL	12"	See XL strainer section below.	

J and JD

Part No.	OD Tubing Size	Weight lbs.	Screen Open Area
Single Screen			
SFSJ4	4"	14.5	314 sq. in.
SFSJ5	5"	14.5	314 sq. in.
SFSJ6	6"	14.5	314 sq. in.
SFSJ8	8"	14.0	314 sq. in.
SFSJ10	10"	13.5	314 sq. in.
Double Decked			
SFSJ4-D	4"	21.5	628 sq. in.
SFSJ5-D	5"	21.5	628 sq. in.
SFSJ6-D	6"	21.5	628 sq. in.
SFSJ8-D	8"	21.0	628 sq. in.
SFSJ10-D	10"	21.0	628 sq. in.

Available with or without slide. Screen options Pg. 11

XL

Part No.	OD Tubing Size	Weight lbs.	Screen Open Area
SFS6XL	6"	52.0	972 sq. in.
SFS8XL	8"	51.5	972 sq. in.
SFS10XL	10"	51.0	972 sq. in.
SFS12XL	12"	53.5	972 sq. in.

Available with or without slide. Screen options Pg. 11

Horizontal

Part No.	OD Tubing Size	Weight lbs.	Screen Open Area
SFSH4	4"	20.5	470 sq. in.
SFSH6	6"	22.0	470 sq. in.
SFSH8	8"	23.5	470 sq. in.

Available with or without slide. Screen options Pg. 11